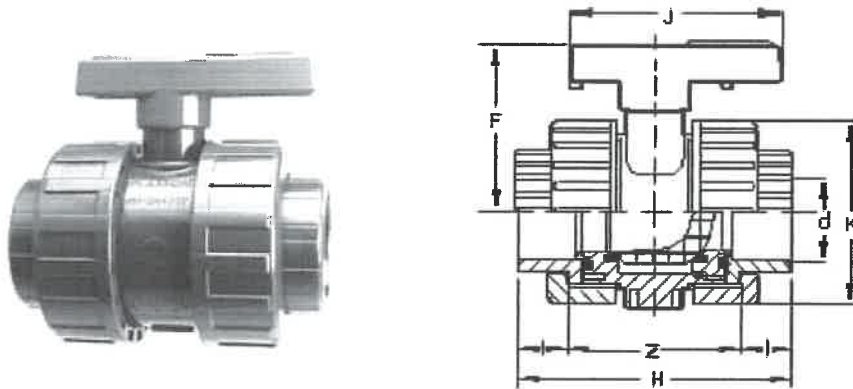


## 1250 - Bi Stop Valve Cem. PVC

*Technical specifications*

Catalogue Number	Size: d	DN	I	Z	H	F	J	K	UB	UC	W
11250016	16	10	14	43	71	45	65	45			93
11250020	20	15	16	43	75	45	65	45			103
11250025	25	20	19	51	89	54	73	55			201
11250032	32	25	22	58	102	66	78	66			281
11250040	40	32	26	68	120	74	96	80			475
11250050	50	40	31	80	142	86	110	96			672
11250063	63	50	38	93	169	106	129	118			1434

## PVC Fittings & Valves

[DESCRIPTION](#) | [STANDARDS](#) | [MATERIALS](#) |

[MARKINGS](#) | [COLOUR](#) | [ITEMS](#) | [SANITARY LAWS](#) | [APPLICATION FIELDS](#) |

[JOINTING TYPES](#) | [SIZES](#) | [THREADS](#) | [FLANGES](#) | [ACCESSORIES](#) | [MECHANICAL PROPERTIES](#) |

### [DRAWINGS DIMENSIONS LEGEND](#)

#### DESCRIPTION

Precision moulded pressure fittings and flanges made from uPVC suitable for line pipe systems up to 16 bar. Our comprehensive range of items and sizes can be connected either by cold solvent cementing or through threading.

Sizes and dimensions conform to international standards.

All fittings are suitable for potable water, beverages, food as well as corrosive fluid transport.

[TOP](#)

#### STANDARDS

Products conform to the requirements of ISO 264, 727, 2536, 3460, KIWA Criteria Standard. 54 as well as the following national standards. DIN 8063, 19532, UNI 7442-75 and 7449-75 AFNOR 54-029 and 54-028. NBN 866, 867, 869.

[TOP](#)

#### MATERIALS

uPVC (unplasticized polyvinyl chloride) meeting the standards of DIN-BS-UNI-AFNOR, KIWA, etc.

O-Rings EPDM (ethylene-propylene copolymer). Hardness: 60 shore, unless otherwise specified.

The metal rings, which are mounted on the threaded end of some of the adaptor fittings are made from stainless steel, AISI 304.

[TOP](#)

#### MARKINGS

The fittings incorporate the following information moulded in relief:  
Plasson Trade Mark (registered in most countries)  
Diameter of connection  
Nominal pressure  
Type of Material

[TOP](#)

## COLOUR

All fittings are grey, in accordance with uPVC pressure pipeline standards.

**TOP**

## ITEMS

Sockets, 45° and 90° elbows, 90° tees, bushes, unions, reducers, adaptors, hose nozzles, caps, plugs, nipples, flanges, flange adaptors.

**TOP**

## SANITARY LAWS

The PLASSON fittings conform to the sanitary laws and regulations in force in the various European Countries and in the U.S. relating to transportation of potable water, wine, beverages and food.

**TOP**

## APPLICATION FIELDS

Potable water systems, irrigation systems, (including fertilization), installations for wine, beer, beverages and other fluids. Industrial plants for production of acids, bases salts, fresh or sea water swimming pools, ship installations etc. (For special installations please contact your Plasson supplier.)

**TOP**

## JOINTING TYPES

The fittings are available with three types of connections:

Plain ends for solvent cement jointing to pressure pipes of the metric dimensions.  
-Fourth digit in the catalogue no. is "0" (XXX0)

Threaded ends to be screwed onto BSP threaded pipes/fittings.  
-Fourth digit in the catalogue no. is "1" (XXX1)

A combination of ends ("adaptor fittings") suitable for jointing a uPVC pipeline of the metric dimensions to a BSP threaded pipe, fitting, valve or accessory (uPVC or other materials):  
-Fourth digit in the catalogue no. is "2" (XXX2)

**TOP**

## SIZES

For standard pipes of the ISO metrical range of mm: 12, 16, 20, 25, 32, 40, 50, 63, 75, 90, 110, 125, 140, 160, 200, 225.  
And for pipes of the BSP threaded range: ¼ ", 3/8 ", ½ ", ¾ ", 1 ", 1¼ ", 1½ ", 2 ", 2½ ", 3 ", 4 ", 5 ".

**TOP****THREADS**

PLASSON fittings are female threaded (cylindrical) and male threaded (conical) according with ISO 7, UNI 339, DIN 2999, BS 21, AFNOR 03-004 Standards.

**TOP****FLANGES**

PLASSON backing flanges are to be used in connection with the flange adaptors (catalogue nos. 5500, 5510 and 5520). The number, sizes and distance between the centre of the holes conform to ISO 2536, UNI 2223 and 7442, DIN 8063 for pressure classes of 10-16 bar.

**TOP****ACCESSORIES**

The fitting range is completed by some accessories such as solvent cement, PTFE tape, etc.

**TOP****MECHANICAL PROPERTIES**

Maximum working pressure in bars

<b>SERIES</b>	<b>DIMENSIONS</b>	<b>PN</b>
Solvent Jointing	from 16 to 160mm	16
	from 200 to 225mm	10
Threaded	from 3/8" to 6"	16
Adaptor Set	from 16x3/8" to 160x6"	16

**TOP****Drawings Dimensions Legend**

(Unless otherwise indicated all dimensions are in mm)

<b>d, dl</b>	Nominal diameter of fitting corresponding to outside pipe diameter
<b>G, G1</b>	Nominal size of thread (inches)

<b>DN</b>	Nominal bore corresponding approximately to the inside diameter of the pipe
<b>D, D1</b>	Diameter
<b>E, E1</b>	Maximum overall diameter of fitting
<b>l, l1</b>	Internal length for cementing
<b>L, L1, L2</b>	External length for cementing
<b>Lt, Lt1</b>	Length of thread
<b>Z</b>	Length from pipe stop to centre/other pipe stop
<b>C</b>	External size of octagon
<b>B</b>	Length of rim
<b>Dp</b>	Pitch circle diameter of bolt holes in flanges
<b>S</b>	Bolt holes diameter in flanges
<b>N</b>	Number of bolt holes in flanges
<b>e</b>	Cross section diameter of O-ring
<b>H</b>	Overall length of fitting
<b>W</b>	Weight in grams

**TOP**