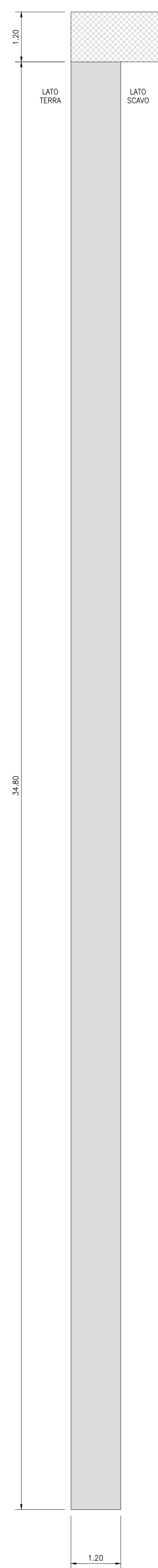


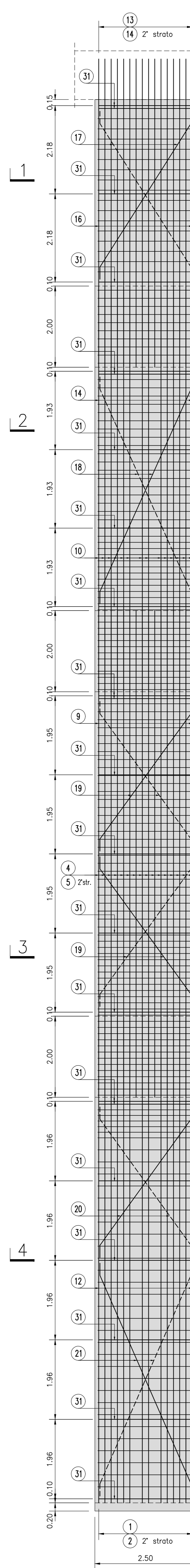
SEZIONE TRASVERSALE

SCALA 1:50



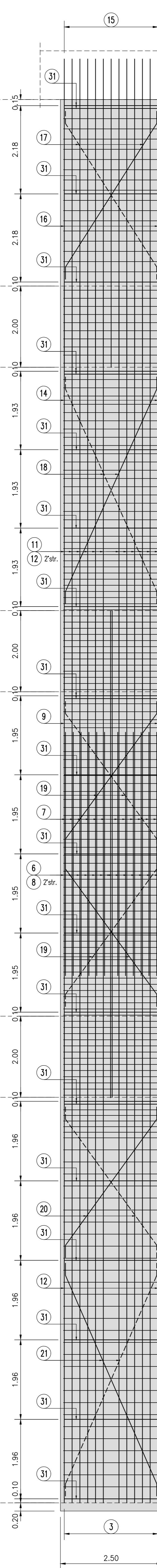
VISTA FRONTALE LATO TERRA - SCALA 1:50

SCALA 1:50



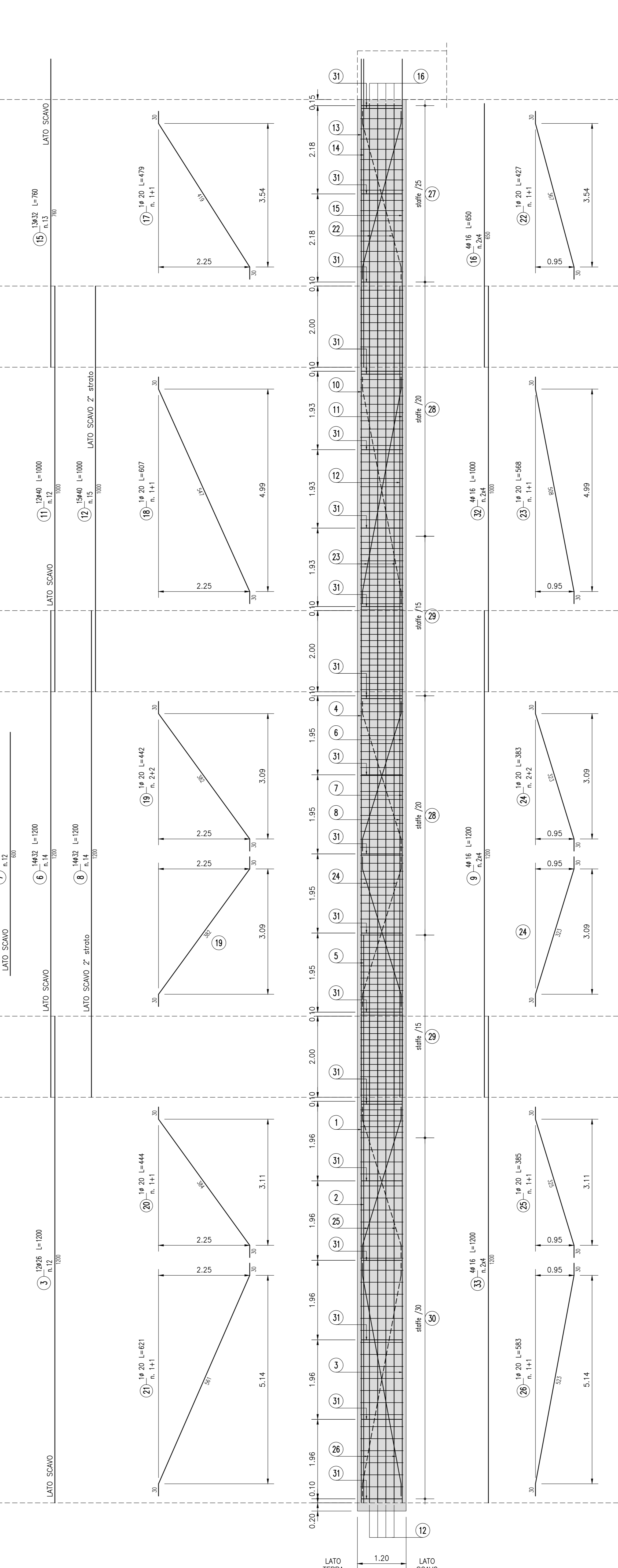
VISTA FRONTALE LATO SCAVO - SCALA 1:50

SCALA 1:50



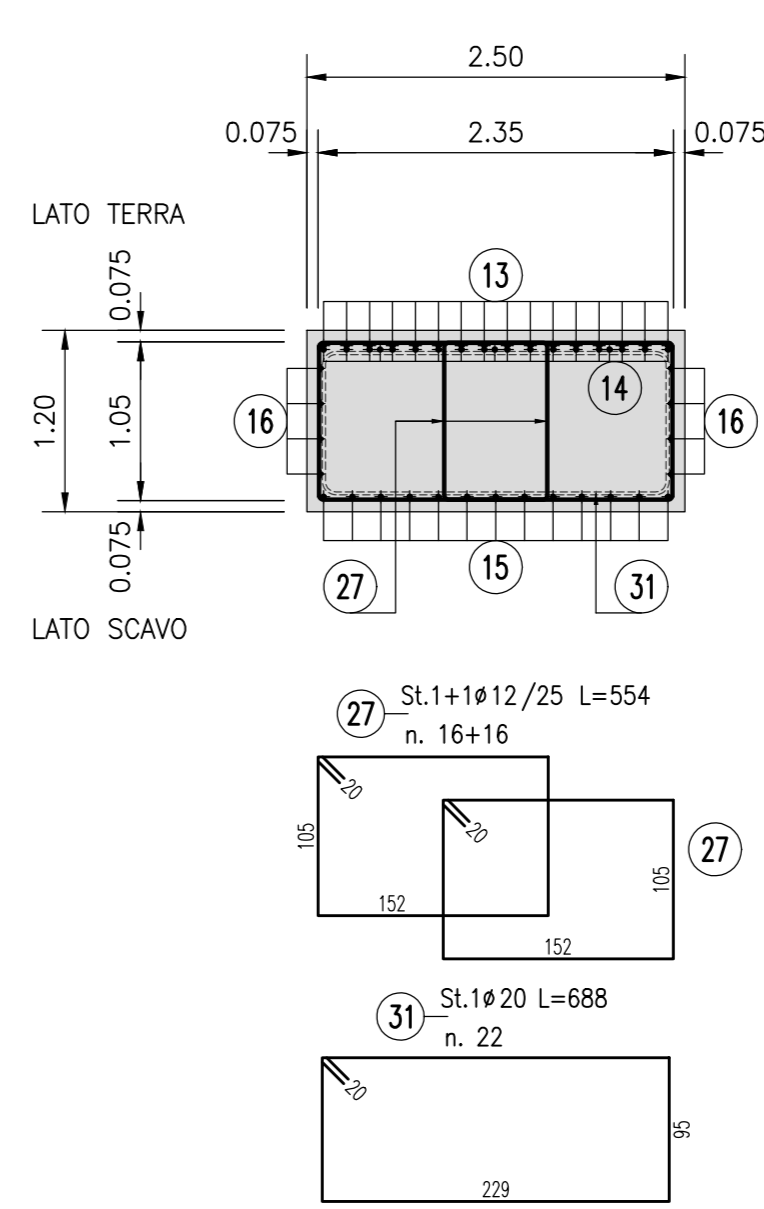
VISTA LATERALE

SCALA 1:50



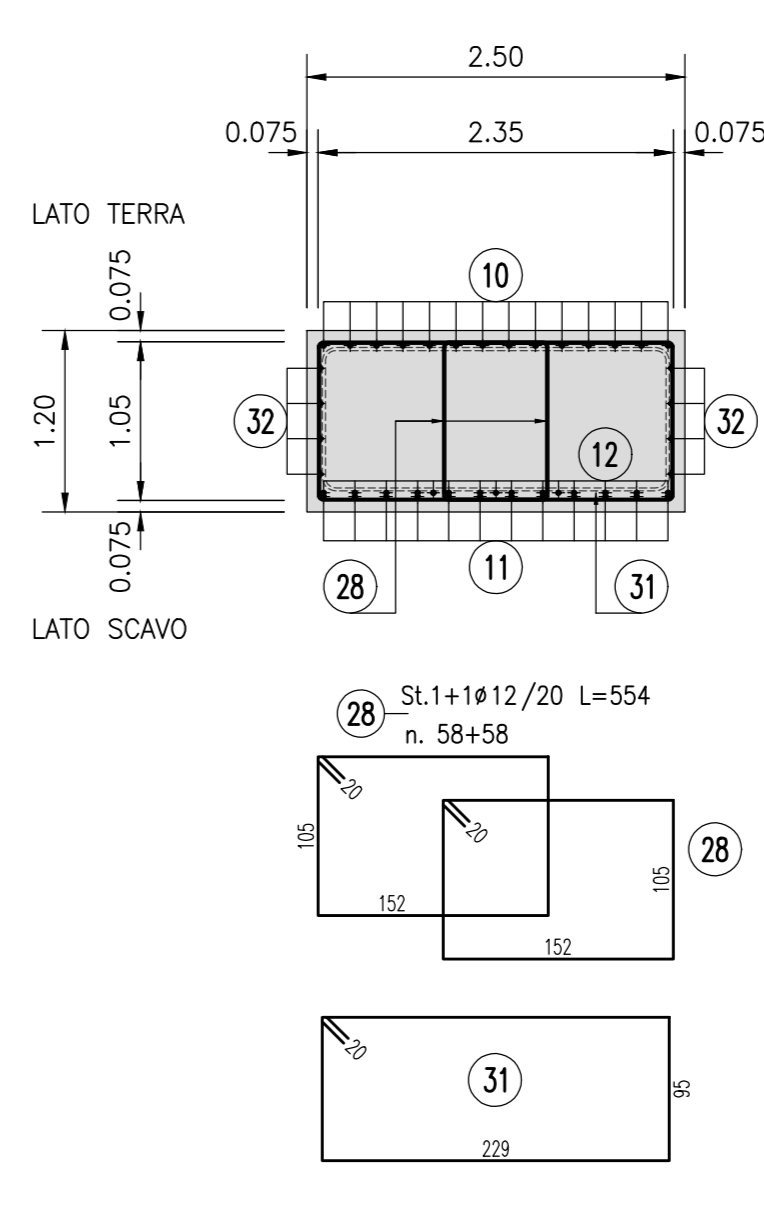
SEZIONE 1-1

SCALA 1:50



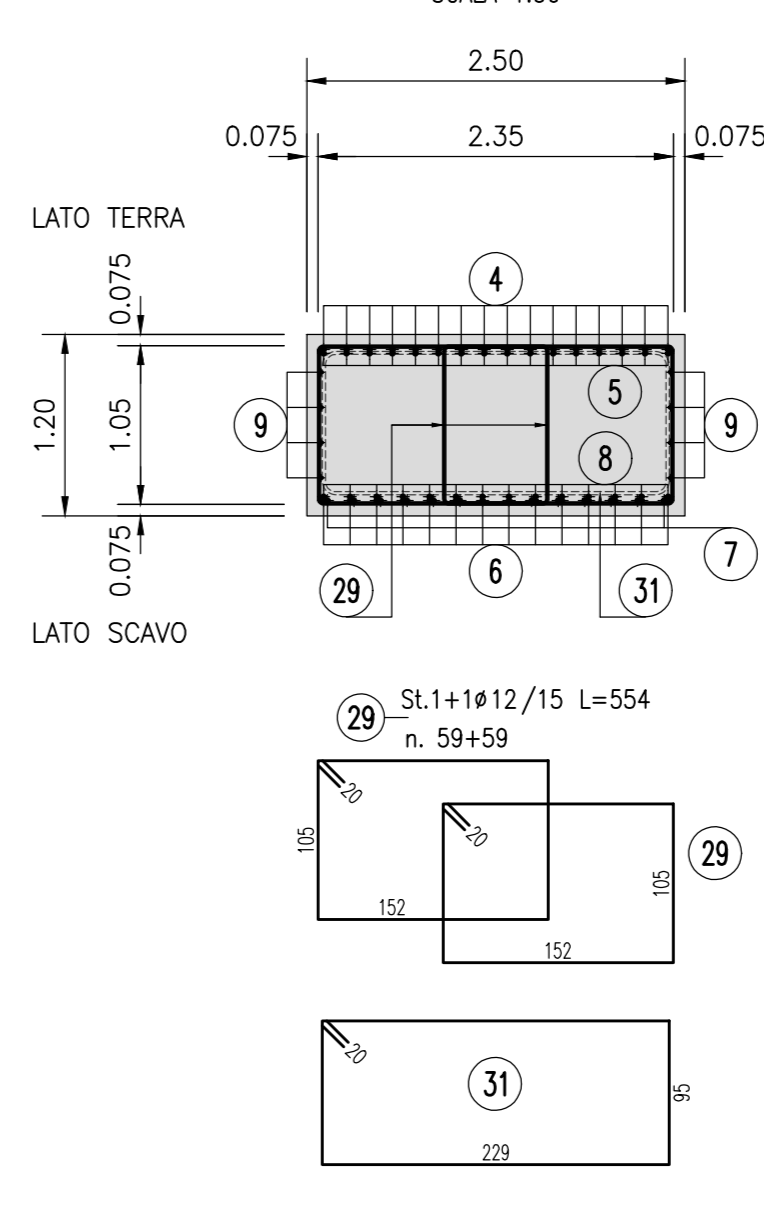
SEZIONE 2-2

SCALA 1:50



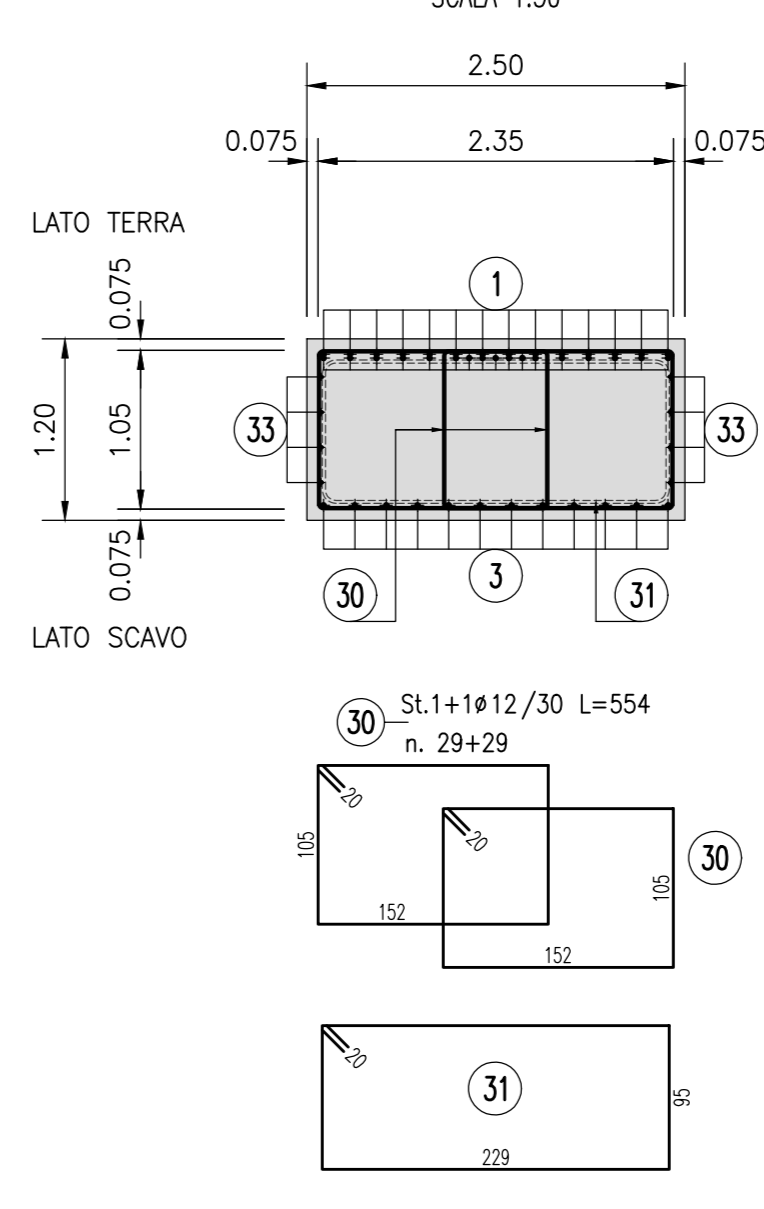
SEZIONE 3-3

SCALA 1:50



SEZIONE 4-4

SCALA 1:50



CARATTERISTICHE DELLE STRUTTURE (Riferimento NTC 2018)

Table with structural characteristics including nominal life, use class, fire resistance, environmental conditions, and material specifications for concrete and steel.

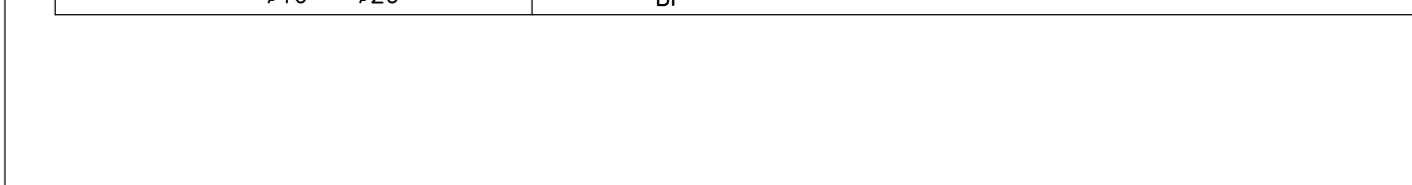


Table for reinforcement diameters (d) for different bar sizes and bending diameters (d_B).

Table with project information including the Ministry of Infrastructure and Sustainable Mobility, Municipality of Turin, and project name: Galleria Artificiale Linea 2 - Tratta Politecnico - Rebaudengo.

Table with project details including the project manager (Geom. L. D'Accardi), project number (MTL21A1DSTRGAST 007.1), and scale (1:50).

Table with revision history showing dates, descriptions, and responsible parties for various revisions.

Table with project metadata including lot number (LOTTO 1), sheet number (9.5.1), and drawing title (STRGAST007.1).